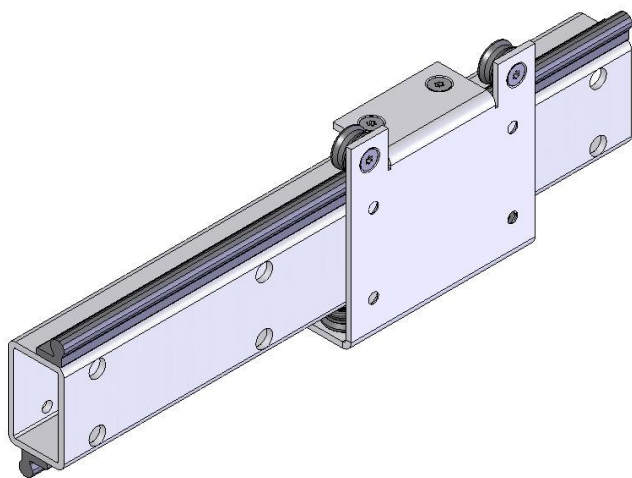
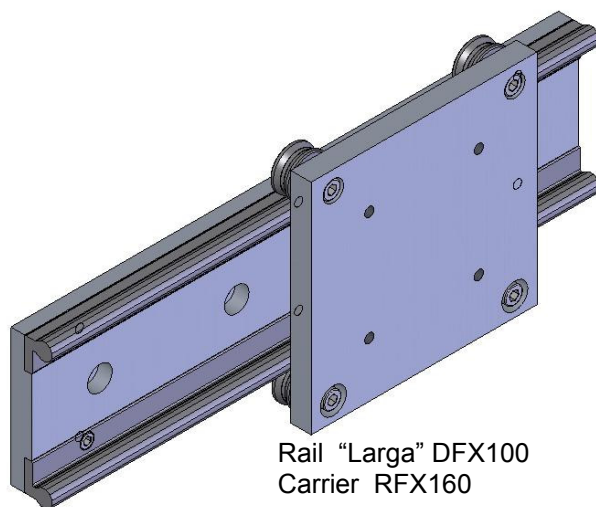




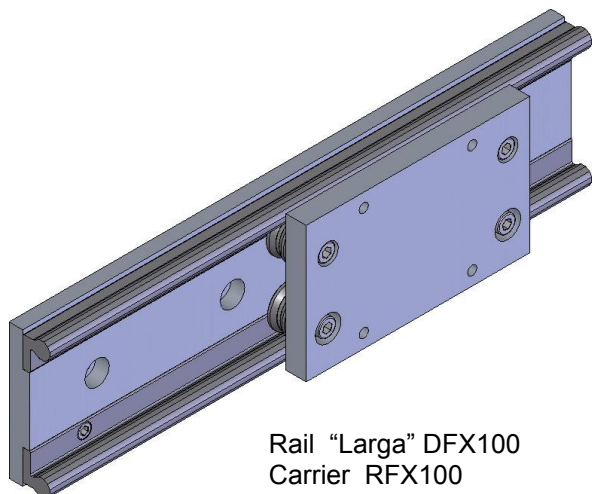
LINEAR BEASRINGS WITH ROLLERS “SERIE LARGA” DTX-DFX
For high moments.



Tubular rail DTX120
Carrier RTX158

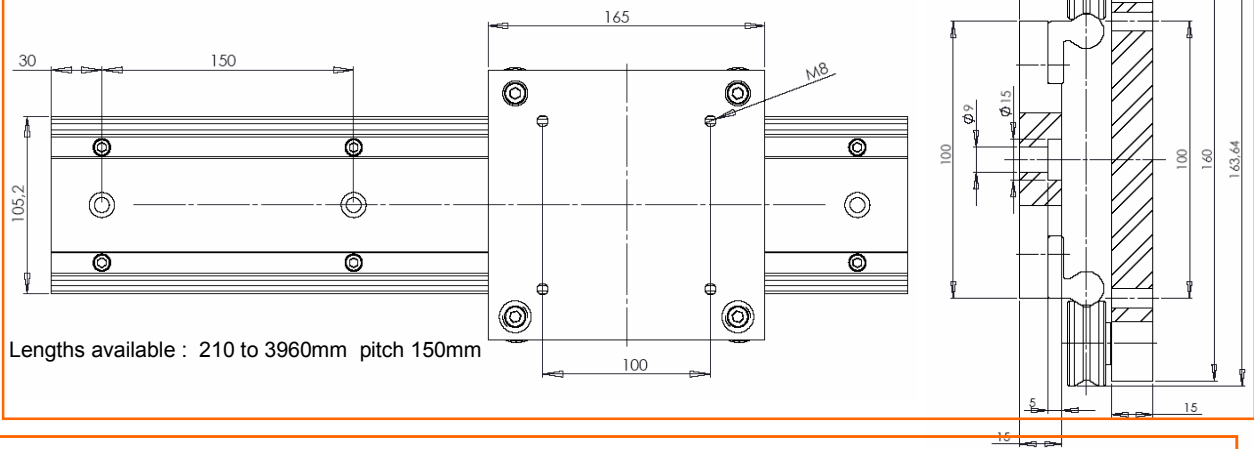


Rail “Larga” DFX100
Carrier RFX160

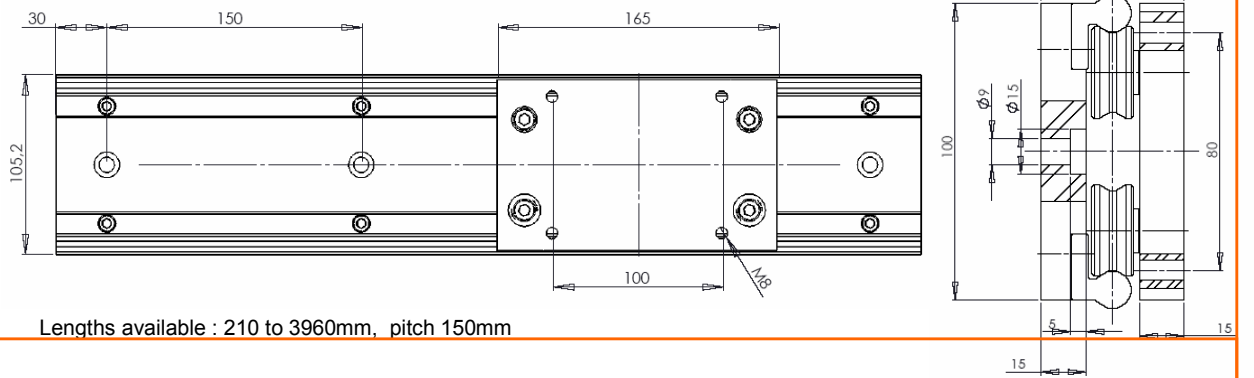


Rail “Larga” DFX100
Carrier RFX100

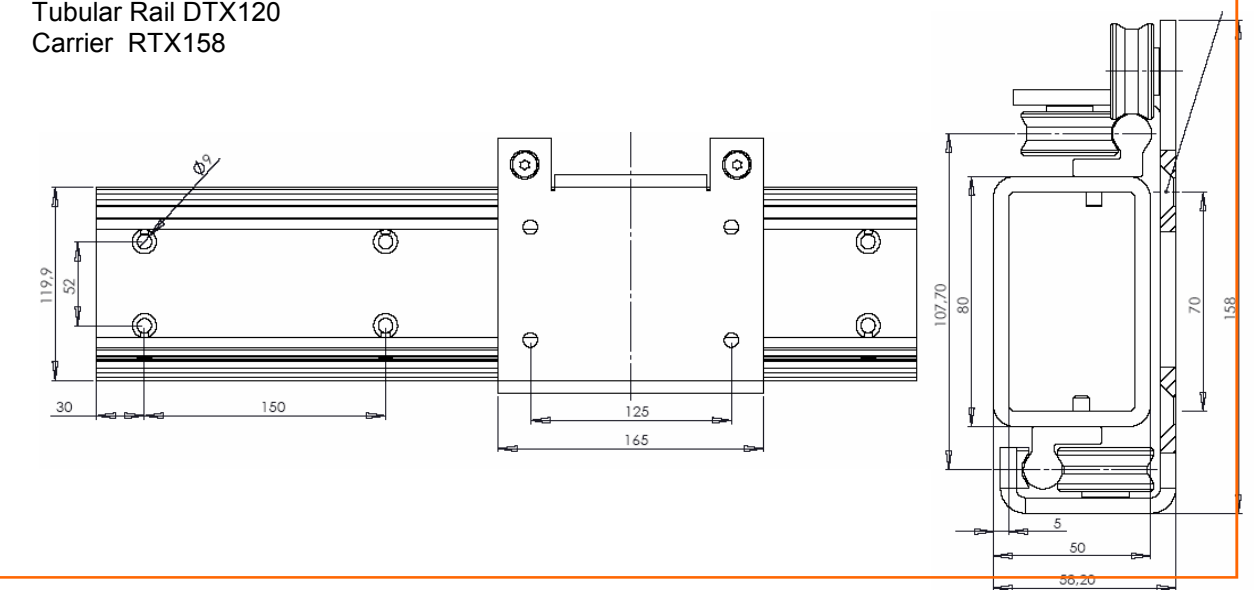
**Rail DFX100
Carrier RFX160**



**Rail DFX100
Carrier RF1X100**



**Tubular Rail DTX120
Carrier RTX158**



LOAD CAPACITY

	Co rad (N)	Co ax (N)	Mx (Nm)	My (Nm)	Mz (Nm)	C (N)
RFX100	7200	3600	81	486	243	13650
RFX160	7200	3600	234	486	243	13650
RTX158	7200	-	775	108	288	13650

COMPARISON FOR CANTILEVER MOMENTS.

