

The ROLLERACE rollers are designed around a double-row precision ball bearing to guarantee both high radial and axial load capacities. The rollers are protected by a double lip sealing system (2RS) to assure long lifetime, even in difficult environments. The integrated roller pivot has concentric or eccentric shape, to allow for preload setting in the different systems.

The bearings are made to precision class DIN620 of core-hardened carbon steel. The rollers are available in series R.V with 2 contact points on the protruding

raceways to obtain, a rigid guiding movement.

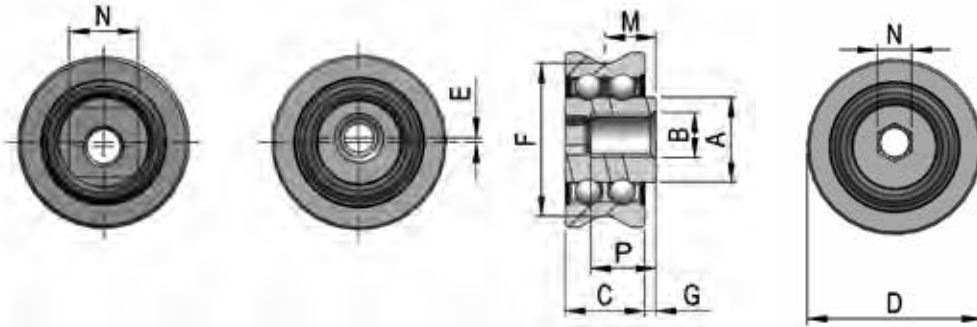
The R.P has the rollers with some limited floating/compensation capacity, as only having one contact point at the central part of the raceways.

The R.F rollers offer much more floating capacity, as one side is completely flat (only rollers in size 43/63).

The rollers of size 28 and 43 are also available in INOX stainless steel series R..X. All made from AISI440 steel, core hardened and ground, for applications in corrosive ambients.



Only size 63

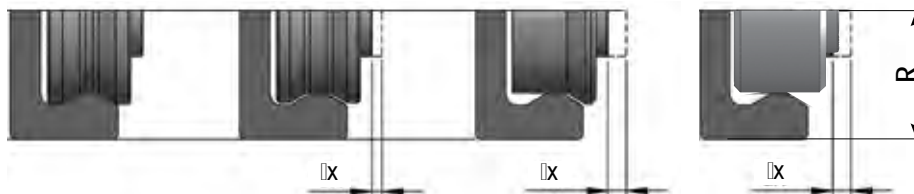
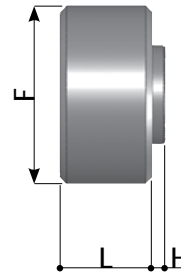
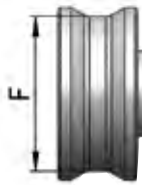


Guiding roller R.V

Floating roller R.P

Freely floating roller R.F

Plain roller R.U



R. rollers for MR, FXR rails

Roller code	Type	E (mm)	D (mm)	C (mm)	M (mm)	G (mm)	N Flat key	A (mm)	B (mm)	P (mm)	R (mm)	F (mm)	L (mm)	H (mm)	Version	Lateral floating x	For rail	Dynamic coeff. C (N)	Load capacity (N)		Weight (g)
																			Co rad	Co ax	
RCV18G	concentric	0	13,2	7,0	4,6	1,1	Allen key 3	6,8	M4	5,4	8,8	11,4			guiding		MRG18	1650	800	230	10
REV18G	eccentric	0,4																			
RCP18G	concentric	0																			
REP18G	eccentric	0,4																			
RCV28	concentric	0	20,0	9,0	6,3	1,75	Allen key 4	10,8	M5	7,0	13,9	17,6			guiding		MR28	3000	1600	460	20
RCVX28	concentric	0																			
REV28	eccentric	0,6																			
REXV28	concentric	0																			
RCP28	concentric	0																			
RCPX28	concentric	0																			
REP28	eccentric	0,6																			
REPX28	eccentric	0,6																			
RCU28	concentric	0	17,8					9,7				17,8	9	1,8	plain	2 (+/-1)					
REU28	eccentric	0,6																			
RCV43	concentric	0	30,8									27			guiding						
RCVX43	concentric	0																			
REV43	eccentric	0,8																			
REXV43	concentric	0																			
RCP43	concentric	0	30,4	14,0	9,0	2,0	Allen key 6	15,0	M8	10,5	21,3	27,2	4,0	7,0	floating	2 (+/-1)	MR43 FXR	7100	3600	1070	50
RCPX43	concentric	0																			
REP43	eccentric	0,8																			
REPX43	eccentric	0,8																			
RCF43	concentric	0																			
REF43	eccentric	0,8																			
RCU43	concentric	0	27,2								27,2	14	2	plain	4,5 (+3/-1,5)						
REU43	eccentric	0,8																			
RCV63	concentric	0	42,4	15,7	10,95	3,1	Flat key 17 Outer dim. for KMR 63	22,1	M10	18,8		38,4			guiding		FXR	11200	6400	2000	80
REV63	eccentric	1,2																			

Position R referred to FXR rail is indicated at page 26